

# Ground

Porcelain tiles











GROUND | GROUND GREY\_90,7\*90,7/L/R



GROUND | GROUND GREY\_90,7\*90,7/SF/R GROUND SILVER\_60,7\*60,7/SF/R MILA COLD\_60,7\*60,7/SF/R



# Ground

Porcelain tiles



GROUND Bone



GROUND Grey



GROUND Silver



MILA Warm



MILA Cold



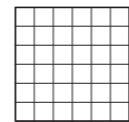
MILA



60,7\*60,7\*1 cm | 23 7/8\*23 7/8\*3/8"

RECTIFIED	SOFT PRICE CODE BN40
WARM	23394
COLD	23393

D. MILA MOSAIC



30 \* 30 cm | 11 13/16 \* 11 13/16"

NO RECTIFIED	SOFT PRICE CODE P37
WARM	23441
COLD	23442



9 patterns

90,7 \* 90,7 \* 1,05 cm | 35 11/16 \* 35 11/16 \* 7/16"

RECTIFIED	SOFT PRICE CODE BN48	ANTISLIP POLISHED PRICE CODE BN42	ANTISLIP PRICE CODE BN90
BONE	23312	23309	23761
GREY	23313	23310	23760
SILVER	23311	23308	23762



18 patterns

45 \* 90,7 \* 1,05 cm | 17 3/4 \* 35 11/16 \* 7/16"

RECTIFIED	SOFT PRICE CODE BN70	ANTISLIP POLISHED PRICE CODE BN43
BONE	23768	23764
GREY	23766	23763
SILVER	23767	23765



27 patterns

29 \* 90,7 \* 1,05 cm | 11 7/16 \* 35 11/16 \* 7/16"

RECTIFIED	SOFT PRICE CODE BN114	ANTISLIP POLISHED PRICE CODE BN115
BONE	23794	23797
GREY	23795	23798
SILVER	23796	23799



30 patterns

60,7 \* 60,7 \* 1 cm | 23 7/8 \* 23 7/8 \* 3/8"

RECTIFIED	SOFT PRICE CODE BN33	ANTISLIP POLISHED PRICE CODE BN38	ANTISLIP PRICE CODE BN88
BONE	23381	23387	23390
GREY	23383	23388	23391
SILVER	23382	23389	23392

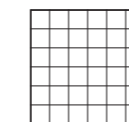


60 patterns

30,2 \* 60,7 \* 1 cm | 11 7/8 \* 23 7/8 \* 3/8"

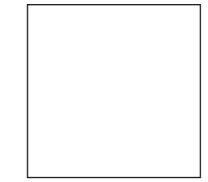
RECTIFIED	SOFT PRICE CODE BN39	ANTISLIP POLISHED PRICE CODE BN74	ANTISLIP PRICE CODE BN107
BONE	23774	23776	23780
GREY	23772	23775	23778
SILVER	23773	23777	23779

D. GROUND MOSAIC



30 \* 30 cm | 11 13/16 \* 11 13/16"

NO RECTIFIED	SOFT PRICE CODE P37
BONE	23435
GREY	23438
SILVER	23439



30 patterns

45,6 \* 45,6 \* 0,8 cm | 17 15/16 \* 17 15/16 \* 5/16"

NO RECTIFIED	SOFT PRICE CODE BN59
BONE	23770
GREY	23771
SILVER	23769

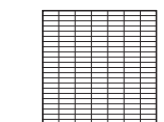


90 patterns

9,9 \* 60,7 \* 1 cm | 3 7/8 \* 23 7/8 \* 3/8"

RECTIFIED	SOFT PRICE CODE BN97	ANTISLIP POLISHED PRICE CODE BN98
BONE	23829	23834
GREY	23830	23835
SILVER	23831	23836

D. GROUND SPAC



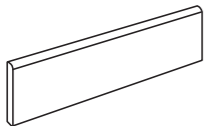
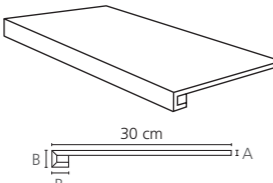
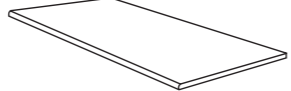

30 \* 30 cm | 11 13/16 \* 11 13/16"

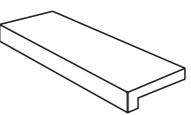
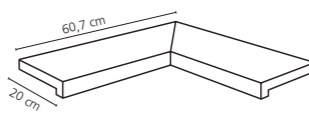
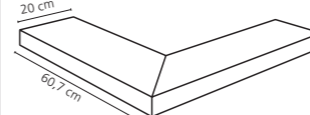
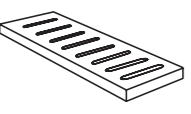
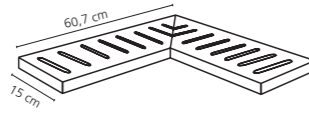

NO RECTIFIED	SOFT PRICE CODE P58
BONE	23505
GREY	23506
SILVER	23507



# Ground

Porcelain tiles

PIEZA COMPLEMENTARIA   COMPLEMENTARY PIECE			
<p>Rodapie - Skirting</p>  <p><b>R.</b></p>	<p>Peldaño técnico - Technical stair - thread</p>  <p><b>P.</b></p>	<p>Peldaño romo - Rounded stair - thread</p>  <p><b>R.P.</b></p>	<p>*S.K.I. *S.K.D. *Z.R.I. *Z.R.D.</p> 
<p>8*90,7/SF cm   3 1/8*35 11/16" P44              8*90,7/L cm   3 1/8*35 11/16" P44              8*60,7 cm   3 1/8*23 7/8" P13              8*60,7/L cm   3 1/8*23 7/8" P34              8*45,6 cm   3 1/8*17 15/16" P9</p>	<p>30*90,7 cm   11 13/16*35 11/16" P76              A= 1,05 cm B= 3,15 cm   A= 7/16" B= 1 1/4"              30*60,7 cm   11 13/16*23 7/8" P54              A= 1 cm B= 3 cm   A= 3/8" B= 1 3/16"</p>	<p>30*90,7 cm   11 13/16 *35 11/16" P61              30*60,7 cm   11 13/16 *23 7/8" P64</p>	<p>8*30 cm   3 1/8*11 13/16" P55</p>

PIEZA ESPECIAL PISCINA   SPECIAL PIECE POOL		
<p>Peldaño Vierteagua   Pool Coping</p>  <p><b>P.V.</b></p>	<p>Peldaño vierteagua angulo   Pool Coping internal corner</p>  <p><b>ANG.P.V.</b></p>	<p>Peldaño vierteagua esquina   Pool Coping external corner</p>  <p><b>E.P.V.</b></p>
<p>20*60,7 cm   7 7/8*23 7/8" P61</p>	<p>60,7*60,7 cm   23 7/8*23 7/8" P70 (PACK 2 units)</p>	<p>60,7*60,7 cm   23 7/8*23 7/8" P70 (PACK 2 units)</p>
<p>Rejilla   Drainage grate</p>  <p><b>REJ.</b></p>	<p>Angulo rejilla   Angle corner drainage grate</p>  <p><b>ANG.REJ.</b></p>	<p>Taco rejilla   Square corner drainage grate</p>  <p><b>T.REJ.</b></p>
<p>15*60,7*2,2 cm   5 15/16*23 7/8* 7/8" P54</p>	<p>60,7*60,7*2,2 cm   23 7/8*23 7/8*7/8" P75 (PACK 2 units)</p>	<p>15*15*2,2 cm   5 15/16 * 5 15/16* 7/8" P85</p>









APLICACIONES   APPLICATIONS						
Área   Area	Revestimiento   Wall			Pavimento   Floor		
	SOFT	ANTISLIP	ANTISLIP POLISHED	SOFT	ANTISLIP	ANTISLIP POLISHED
Interior   Internal	✓	✓	✓	✓	✓	✓
Exterior   External	✓	✓	✓	✓	✓	✓
Comercial   Commercial	✓	✓	✓	✓	✓	✓
Ducha   Shower	✓	✓	✓	-	✓	✓

## CONSEJOS LIMPIEZA ANTISLIP POLISHED

Se recomienda la utilización de adhesivos cementosos tipo C2 y material de rejuntado en base cementosa tipo CG1 cuando no se requiera de impermeabilidad y tipo CG2WA cuando sí que sea requerida. Tras su colocación, se recomienda limpiar inmediatamente el material sobrante con la ayuda de una esponja y agua. No se recomienda la utilización de adhesivos ni material de rejuntado en base epoxi.

## CLEANING TIPS FOR ANTISLIP POLISHED

A C2 cement-based adhesive should be used, together with a CG1 cementitious grout when no waterproofing is required or CG2WA grout when it is. After laying the tiles, clean away any surplus material immediately using a sponge and water. Do not use epoxy-based adhesives or grout.

CARACTERÍSTICAS TÉCNICAS   TECHNICAL CHARACTERISTICS							
joint	frost proof	versatile	mat	full body	diferent shades	shade variation	various graphics
							

CARACTERÍSTICAS TÉCNICAS ANTIDESLIZAMIENTO   ANTI-SLIP CHARACTERISTICS					
Ensayo   Essay	Características   Features	Resultado   Result			
		SOFT	ANTISLIP POLISHED	ANTISLIP	
DIN 51130	Ángulo crítico (Pies calzados)   Critical angle (footwear)	*R9	R10	R11	R12
DIN 51097	Ángulo crítico (Pies descalzos)   Critical angle (Wet loaded barefoot)	*-	A+B	A+B+C	A+B+C
BS-7976-2	Antideslizamiento (Test del péndulo)   Slip resistance (Pendulum test)	*-	+36 Wet	+36 Wet	+36 Wet
UNE-ENV-12633	Antideslizamiento (Test del péndulo)   Slip resistance (Pendulum test)	*Class 1	Class 2	Class 3	Class 3
ANSI A137.1	Coefficiente de Fricción Dinámico   Dynamic Coefficient of Friction	*-	> 0,42 Wet	> 0,42 Wet	> 0,42 Wet
ISO 10545-6	Resistencia a la abrasión profunda/ Resistance to Deep Abrasion	< 175 mm <sup>3</sup>		< 175 mm <sup>3</sup>	< 175 mm <sup>3</sup>

\* solo en el formato: 45,6\*45,6\*0,8 cm | only format: 17 15/16" \* 17 15/16" \* 5/16"

EMBALAJE   PACKING									
Formato   Sizes	Cajas   Boxes			Pallet			Cont./20' 21500 kg.	Cont./20' 24000 kg.	
	Piezas	m <sup>2</sup>   sq. m	kg	Cajas	m <sup>2</sup>   sq. m	kg	Tamaño cm aprox.	m <sup>2</sup>   sq. m	m <sup>2</sup>   sq. m
90,7 * 90,7 * 1,05	1	0,82	20	40	32,91	825	105 * 95 * 75	858	957
19,5 * 121,5 * 1,05	3	0,71	17,30	50	35,54	890,00	128 * 95 * 55	858,52	958,35
60,7 * 60,7 * 1	3	1,11	24	36	39,79	889	120 * 80 * 75	962	1074
30,2 * 60,7 * 1	5	0,92	19	48	44,00	937	120 * 80 * 76	1009	1127
9,9 * 60,7 * 1	13	0,78	16	64	49,92	1051	100 * 100 * 94	1021	1140
45,6 * 45,6 * 0,8	5	1,04	18,80	66	68,62	1265,80	120 * 80 * 105	1165,51	1301,04
inch	Units	ft <sup>2</sup>	lb	Boxes	ft <sup>2</sup>	lb	Sizes inch approx.	ft <sup>2</sup>	ft <sup>2</sup>
35 11/16 * 35 11/16 * 7/16	1	8,85	44,00	40	354,20	1815,0	41 5/16 * 37 3/8 * 29 1/2	9231	10304
7 11/16 * 47 13/16 * 7/16	3	7,65	38,06	50	382,54	1958,00	50 3/8 * 37 3/8 * 21 5/8	9241,03	10315,57
23 7/8 * 23 7/8 * 3/8	3	11,90	52,80	36	428,32	1955,8	47 1/4 * 31 1/2 * 29 1/2	10359	11563
11 7/8 * 23 7/8 * 3/8	5	9,87	41,80	48	473,56	2061,4	47 1/4 * 31 1/2 * 29 15/16	10866	12130
3 7/8 * 23 7/8 * 3/8	13	8,41	35,20	64	538,17	2307,80	39 3/8 * 39 3/8 * 37	11030	12312
17 15/16 * 17 15/16 * 5/16	5	11,19	41,36	66	738,61	2784,76	47 1/4 * 31 1/2 * 41 5/16	12545,46	14004,24